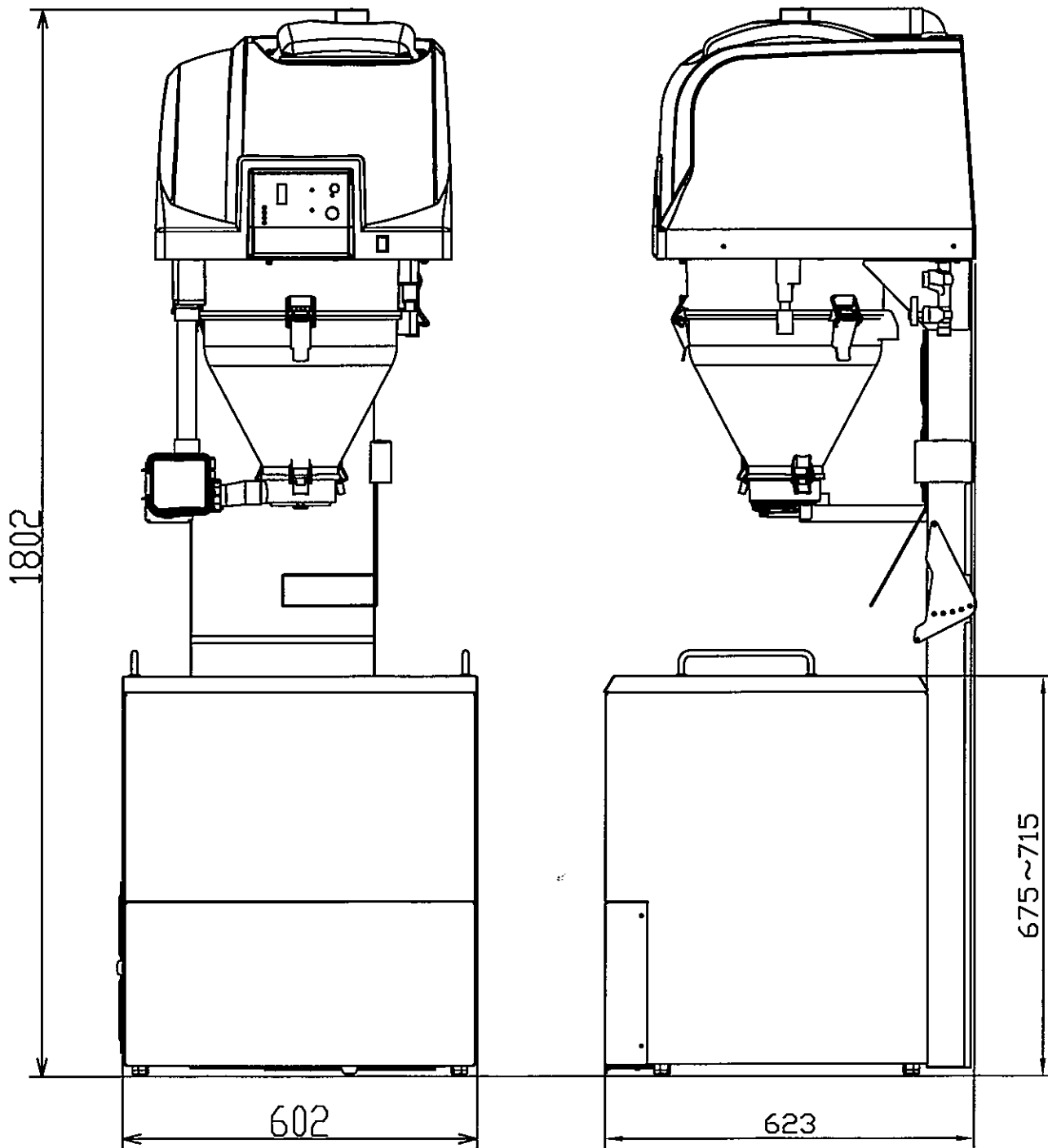
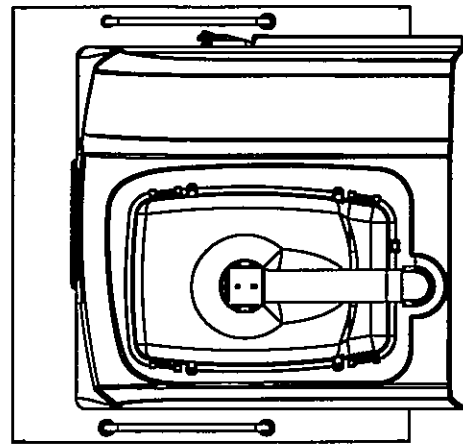
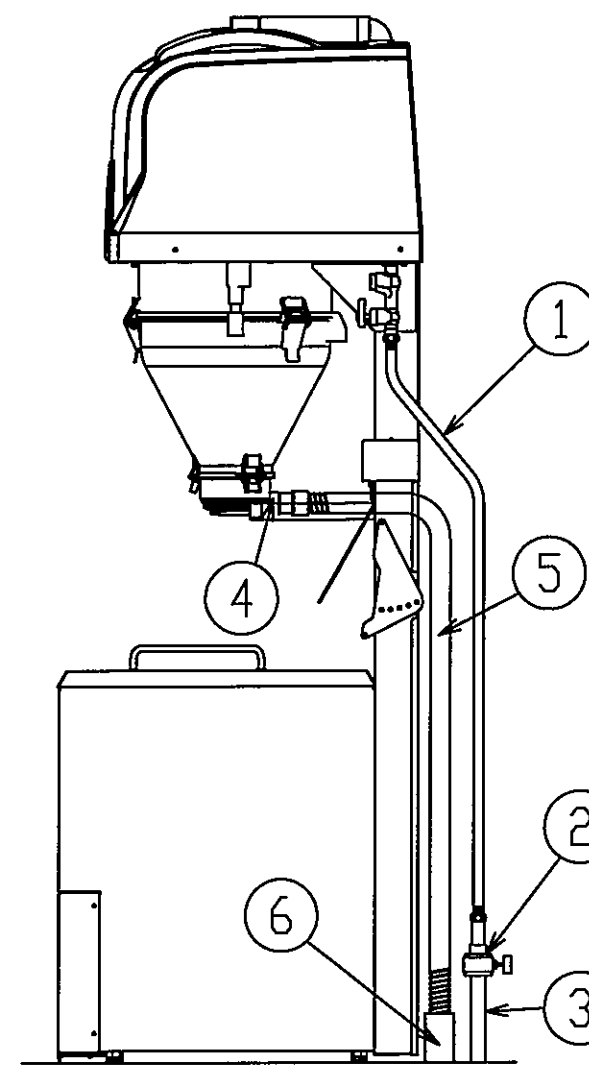


KP90KN-CE

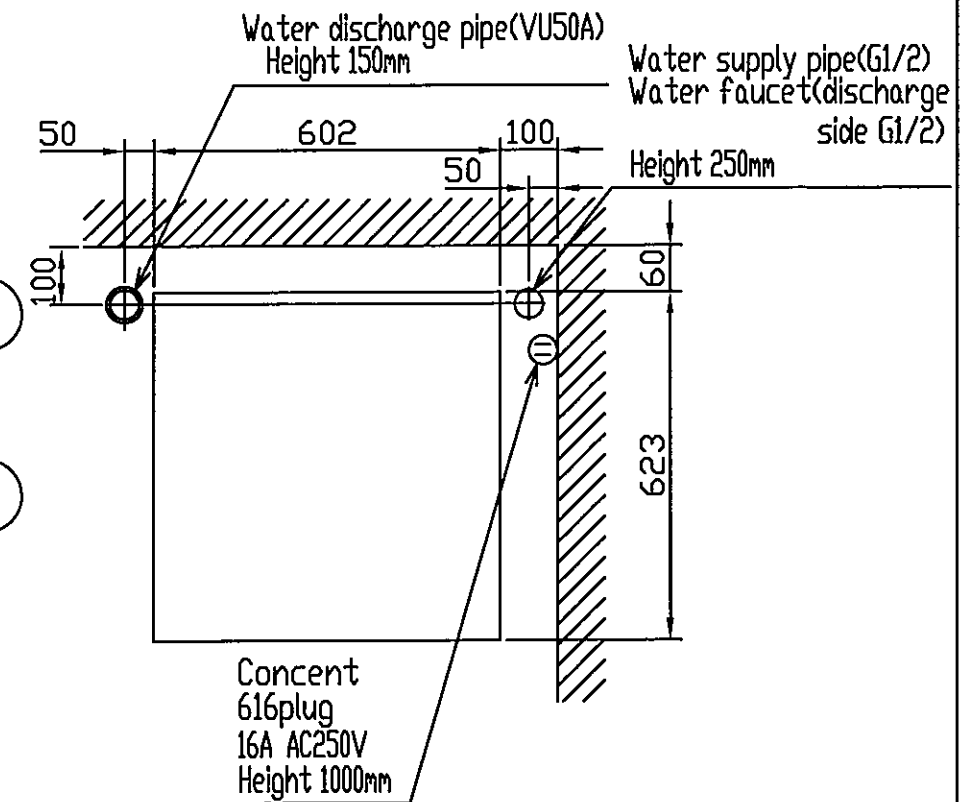
External View



Drawing of Water Supply • Discharged Water • Connection [Standards]



- ① Flexible tube(Rp1/2)L=1500mm.....included main body
- ② Water faucet(Nominal pipe 13, connection G1/2)
- ③ Water supply pipe(G1/2 Hard vinyl chloride lining steel pipe for water)
From floor face 250mm.....connect with water faucet
- ④ Connecting part of discharged water for Rice washer (External Diameter 38mm).....Connect with discharged hose
- ⑤ Discharged water hose(Connected part inner diameter 38mm)L=1200mm.....included main body
- ⑥ Vinyl chloride pipe for water discharge(VU50A)
From floor face 150mm



Specification

| | |
|----------------------------------|---|
| Size(mm) | W602xD623xH1,802 |
| Weight(KG) | 72KG |
| Rice throughput(Max) | 9.0L(7.5kg) |
| Setting/per operation | 1.0, 1.5, 2.0, 2.5, 3.0, 3.5, 4.0, 4.5, 5.0, 5.5, 6.0, 6.5, 7.0, 7.5 KG |
| Washing time(7.5KG) | Around 2min(14L/min)-2min 30sec |
| Consumed power | AC220 • 230 • 240V±10V |
| Frequency | 50Hz |
| Consumed power | Max AC220V: 1100W, AC230V: 1150W, AC240V: 1250W |
| Minimum volume of water pressure | 79kPa(0.8kgf/cm ²) |